

INSTALLATION FOR HBRA7 SERIES ROUND WITH MICROWAVE SENSOR BASE HIGH BAY



SAVE THESE INSTRUCTIONS - READ ALL INSTRUCTIONS CAREFULLY

WARNING



PLEASE READ ALL INSTRUCTIONS BEFORE ATTEMPTING INSTALLATION.

- To prevent personal injury or product damage only licensed electricians/personnel should install fixture.
- To avoid electric shock or component damage disconnect power before attempting installation or servicing.
- This product must be installed in accordance with the National Electric Code (NEC)/Canadian Electrical Code (CEC) and all applicable Federal, State/Provincial and Local Electric Codes and Safety Standards.
- Disconnect fixture and allow cooling prior to servicing.
- Any alteration or modification of this product is expressly forbidden as it may cause serious personal injury, death, property damage and/or product malfunction.
- To prevent product malfunction and/or electrical shock this product must be properly grounded.

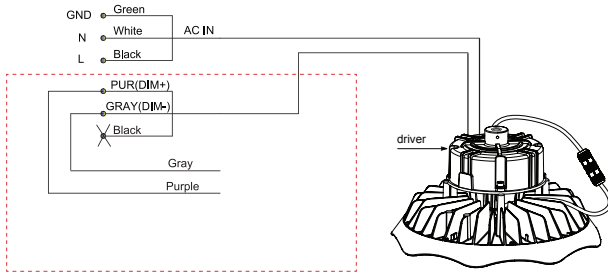
WARNING

- This Round High bay will operate within the following voltage ranges- 120-347V, 50/60Hz.
- If input voltage exceeds this range, it may cause premature LED diode failure. Please ensure operation is within the specified voltage ranges.
- Ensure ambient operating temperature between -45°C through +45°C.
- Installing the Round High bay in temperatures outside the operating temperature range will reduce the life of the Round High bay.
- Make sure to turn off power during all installation or maintenance processes.

ATTENTION

- IP65 Wet Location rated.
- Please keep the Round High bay away from all corrosive substances.
- To clean, please use either a damp or dry cloth.

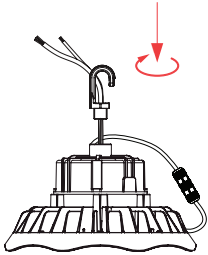
WIRING CONNECTION



Turn off the power, connect AC wires. Black wire to L, white wire to N, and green wire to GND.

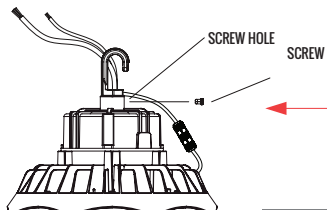
HOOK MOUNT

Lock the hook



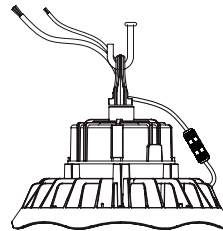
REF. 1

Tighten the screw.



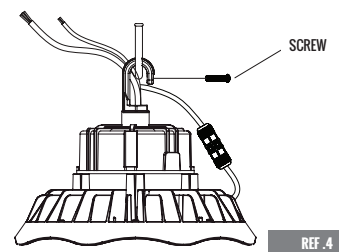
REF. 2

Hang up the light.



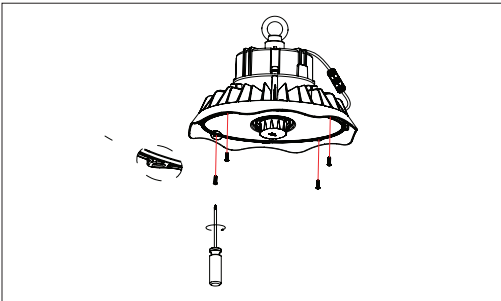
REF. 3

Lock the screw.

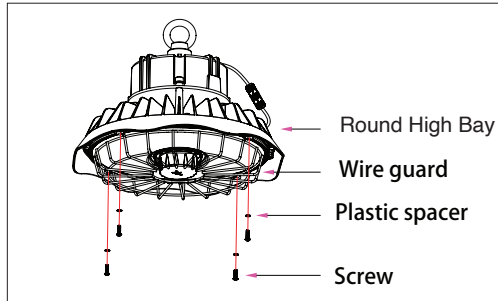


REF. 4

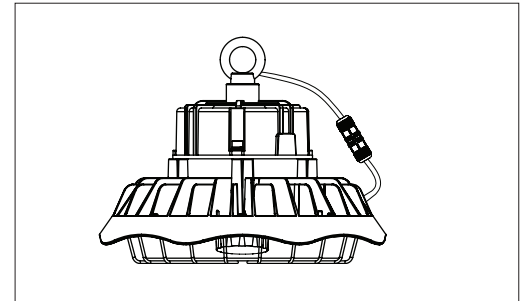
WIRE GUARD



1. Take down the 4 screws which show on the picture.



2. Lock the screws according to the picture.



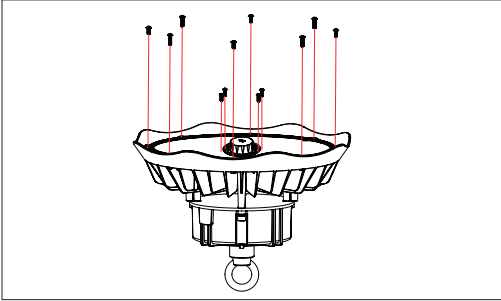
3. Installation complete.

INSTALLATION FOR HBRA7 SERIES ROUND WITH MICROWAVE SENSOR BASE HIGH BAY

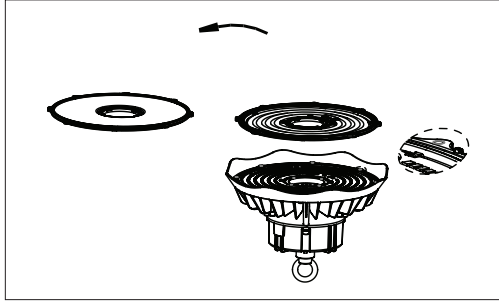


SAVE THESE INSTRUCTIONS - READ ALL INSTRUCTIONS CAREFULLY

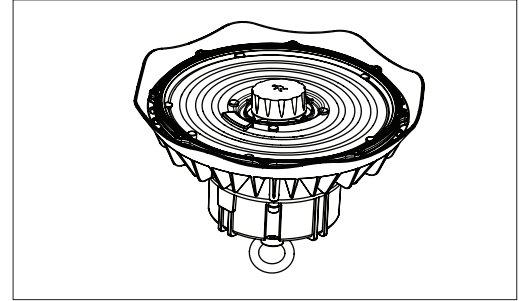
LENS / REFRACTOR INSTALLATION - 60 ° AND 90 °



1. Unscrew the fixed screws which hold the PCB cover in place. Remove the PCB cover.

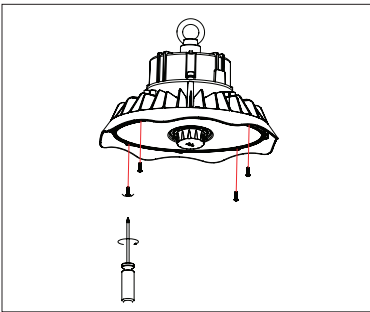


2. Install the Lens / Refractor over the PCB - aim the bump rectangle in the middle of the lens / refractor to sit over the PCB boards wire entry (shaded area). Please dispose of or store PCB cover that came with fixture. It is not to be installed over the LENS / REFRACTOR.

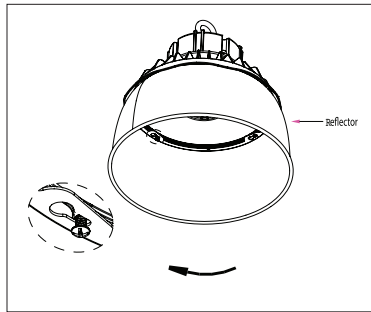


3. Tighten all screws. Installation is finished.

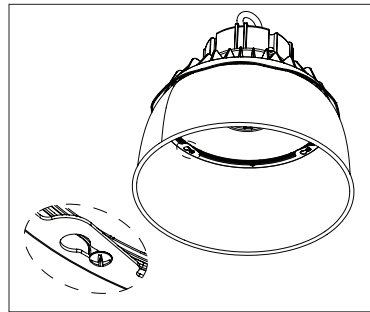
ALUMINUM REFLECTOR / PC REFLECTOR INSTALLATION



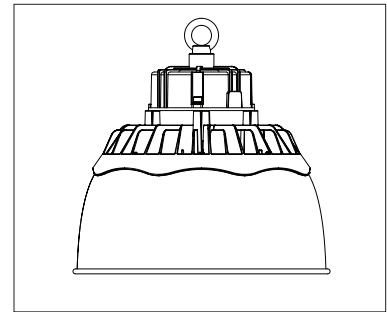
1. Unlock the 4 screws from the PCB cover and leave loose about 3mm.



2. Attach the Reflector to the fixture front and turn it clockwise to secure in place, using keyless slots.

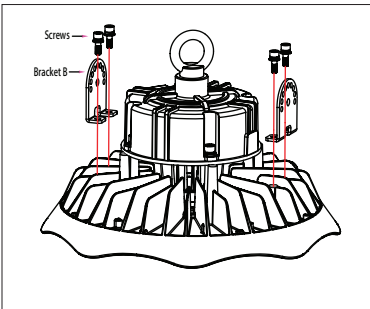


3. Tighten all screws ensuring the Reflector holes are locked in place.

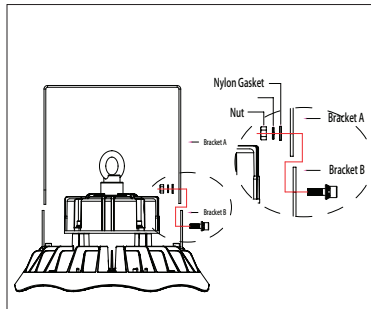


4. Installation complete.

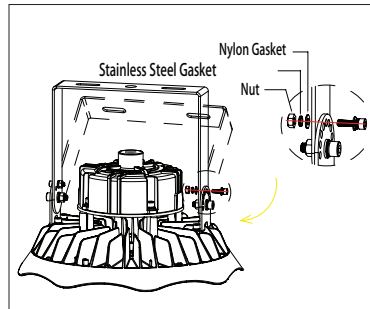
YOKE MOUNT INSTALLATION



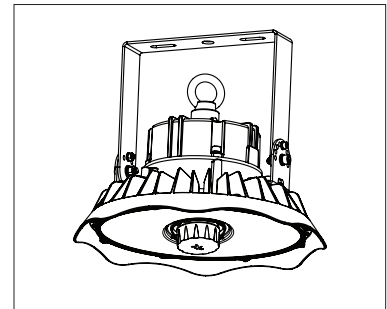
1. Mount the 2 units of Bracket B to the back of the fixture with screws supplied.



2. Install Bracket A to Bracket B as per above images.



3. Adjust the required angle of the bracket as per above images and tighten screws to lock.



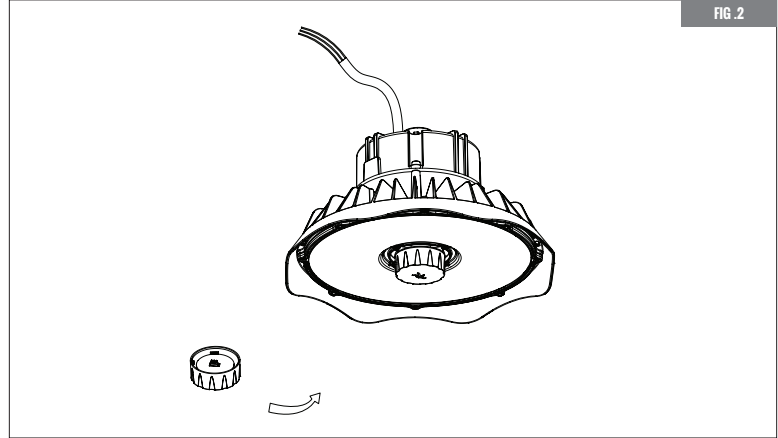
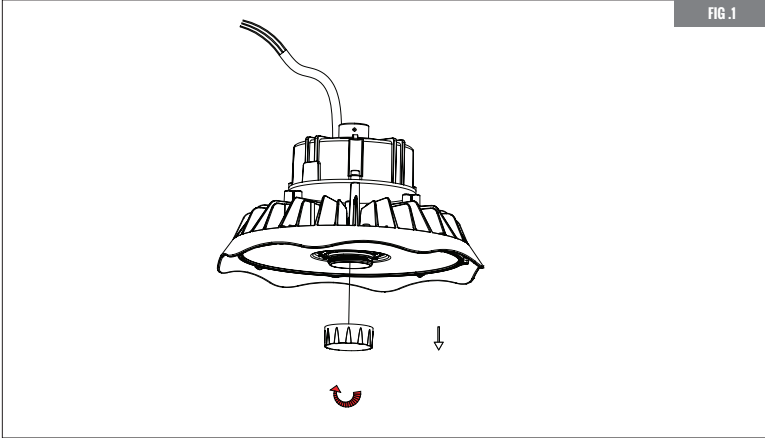
4. Installation complete.

INSTALLATION FOR HBRA7 SERIES ROUND WITH MICROWAVE SENSOR BASE HIGH BAY



SAVE THESE INSTRUCTIONS - READ ALL INSTRUCTIONS CAREFULLY

SENSOR INSTALLATION



1. Unscrew the sensor cover in the direction shown (Fig 1.).
2. Screw the sensor into the bottom of the sensor to complete the installation (Fig 2.) (Improper installation may cause waterproof failure);
3. Test Light.

HBRA7 - INSTALLATION GUIDE MICROWAVE SENSOR

OVERVIEW

- Automatic On / Off control with Daylight Sensor
- Optional detection range, holdtime, daylight threshold, Standby period and standby dimming level.
- Remote control settings available.

INSTALLATION PRECAUTIONS.

1. The areas of detection cannot be shielded by metal objects.
2. Ensure the Microwave Sensor is properly secured to ensure Watertight seal.

APPLICATION ENVIRONMENT.

1. Suitable only for indoor applications.
2. Not suitable for spaces where all walls are metal or with metal roofing.
3. Not to be installed in close proximity to large machinery like ventilators, ceiling fans, to avoid false triggering due to machine vibrations.

3. The detection surface of the sensor shall be installed facing the detection area.
4. Wiring must be in accordance with the wiring diagram to avoid short circuit.

USER NOTES.

1. The Microwave Sensor can penetrate walls or glass thinner than 20cm, and will be weaker if the surface is thicker than 20cm.
2. The detection area will be affected by speed of motion, mounting height, and movement volume

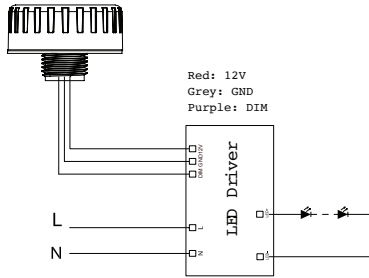
On / Off Control	Detection Area	Hold Time	Daylight Threshold	Stand-by Period	Stand-by Dimming Level	Remote Control Setting	10-15M High Bay Altitude	Warranty 5 years

INSTALLATION FOR HBRA7 SERIES ROUND WITH MICROWAVE SENSOR BASE HIGH BAY

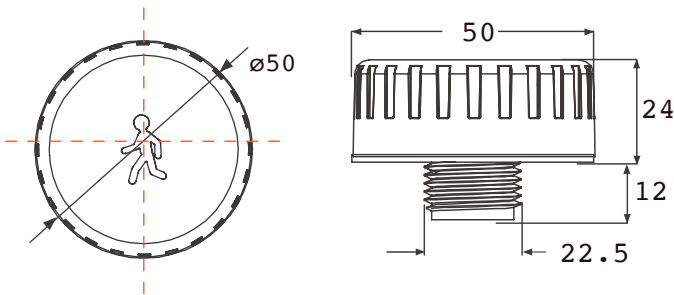


SAVE THESE INSTRUCTIONS - READ ALL INSTRUCTIONS CAREFULLY

SENSOR WIRING DIAGRAM



DIMENSIONS (UNIT: MM)

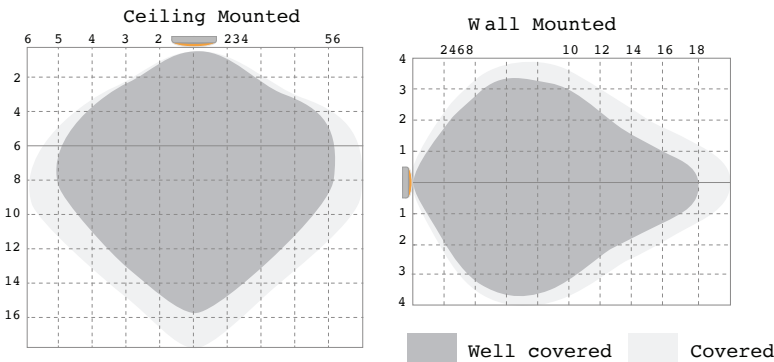


TECHNICAL INFORMATION

Operating Voltage	10-15VDC
Operating Current	30mA ± 5%
Output	DIM 0-10V.
Standby Power	≤0.5W.
Detection Area	25% / 50% / 75% / 100%
Hold Time	5s/30s/1 min/3 min/5 min/10 min/30 min
Daylight Threshold	2Lux / 10Lux / 30Lux / 50Lux / 80Lux / 120Lux / Disable
Standby Period	0s/10s/30s/1 min/5 min/10 min/30 min/+∞
Standby Dimming Level	10%/20%/30%/50%
Microwave Power	5.8GHz±75MHz
Mounting Height	<0.3mW
Detection Range	15m / 49.2 ft (ceiling mounted)
Operating Temperature	-20°C -60°C
Motion Detection	0.5-1.5m/s
IP Rating	IP65
Warranty	5 Years

DETECTION RANGE

Typical installation height 15m
The figure indicates the maximum distance at the highest mounting height with 100% sensitivity.

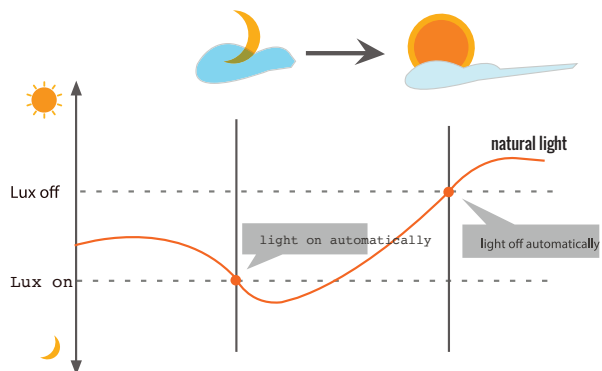


DAYLIGHT PRIORITY

The Dusk / Dawn Sensor: Dual PD technology brings an automatic dusk / dawn sensor that can tell the difference between natural light and LED light. This is necessary to ensure the fixture will be off when not required. With the Daylight Priority function, it enables differentiating between artificial light brightness, from natural light brightness, after in-fixture installation. It will automatically turn off the fixture when ambient natural brightness exceeds the preset lux level.

Precondition of daylight priority:

1. Standby period is +∞
2. Standby dimming level is on 10%, 20% or 30%:
3. Daylight threshold is on 30Lux, 50Lux, 80Lux or 120Lux

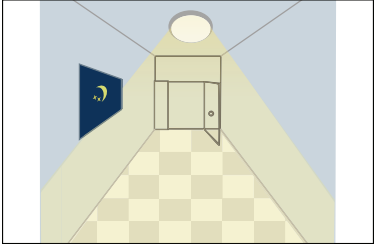


INSTALLATION FOR HBRA7 SERIES ROUND WITH MICROWAVE SENSOR BASE HIGH BAY

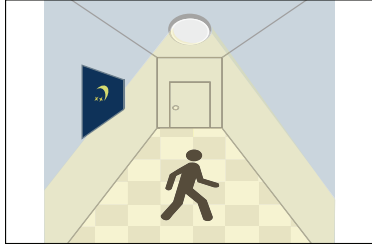


SAVE THESE INSTRUCTIONS - READ ALL INSTRUCTIONS CAREFULLY

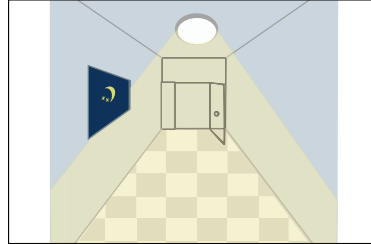
DAYLIGHT PRIORITY



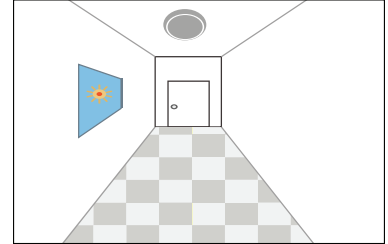
Fixture is automatically on when ambient light is lower than the preset lux level.



With insufficient ambient brightness, the fixture illuminates to 100% when motion is detected.



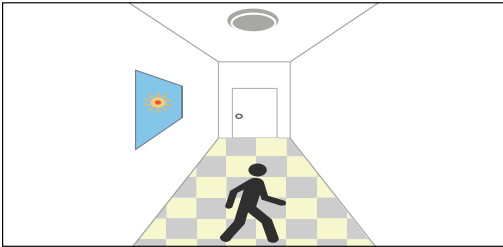
The fixture dims to standby level when no motion is detected, after hold time.



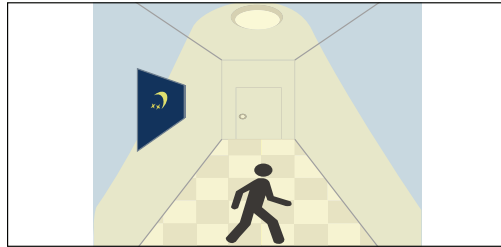
The fixture is off when the ambient lux level is higher than the preset lux level.

AUTOMATICALLY ON / OFF FUNCTION:

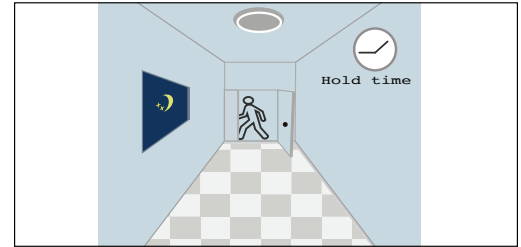
Fixture is on when motion is detected and off when space is vacated.



With sufficient Daylight, even when motion is detected, the fixture remains off.



With insufficient Daylight, when motion is detected, the fixture will turn on.



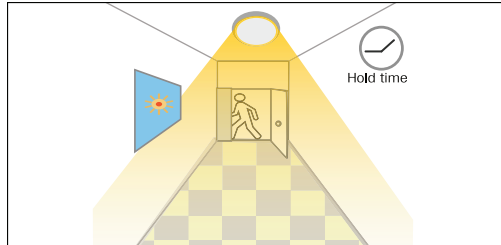
After the space is vacated, and the preset hold time has elapsed, the fixture will turn off.

NO DAYLIGHT FUNCTION

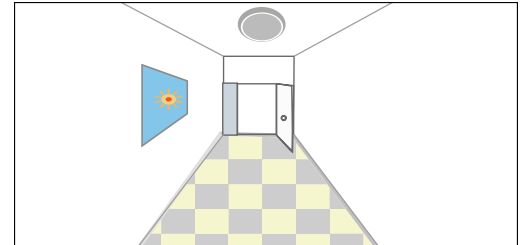
The Daylight Threshold is set to "Disable". The fixture will be on when motion is detected. When the space is vacated, the fixture will turn off after the standby period.



When motion is detected, the sensor will turn the fixture to 100% brightness.

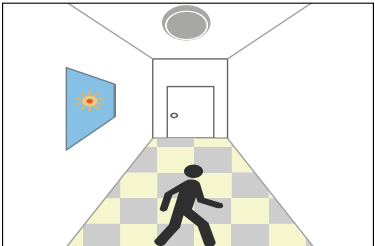


After the space is vacated, the fixture will remain at 100% brightness for the hold time

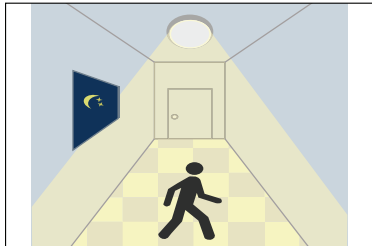


After the last detection and the preset hold time has elapsed, the fixture turns off.

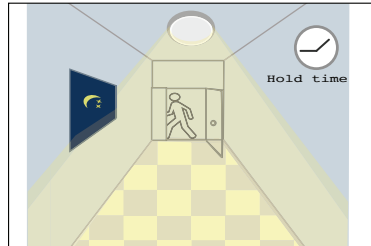
DIMMABLE CONTROL / CORRIDOR FUNCTION



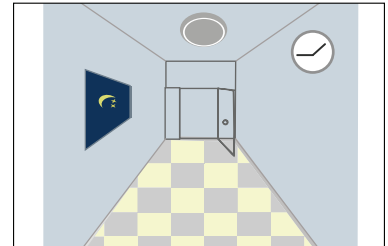
With sufficient Daylight. Even when motion is detected, the fixture remains off.



With insufficient Daylight, when motion is detected, the fixture turns on.

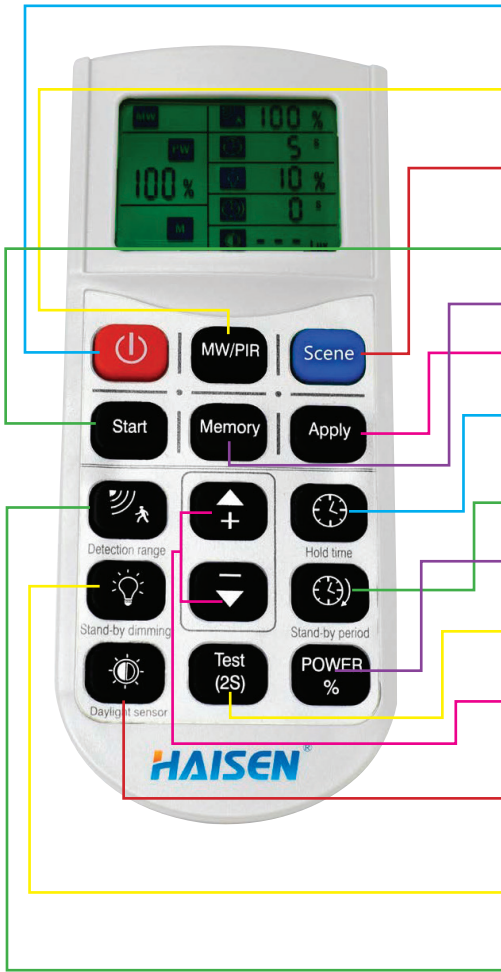








After the space is vacated, the fixture will dim down to the preset standby level (10%, 20%, 30% or 50%), after hold time.



After the standby period, the fixture will go off.

INSTALLATION FOR HBRA7 SERIES ROUND WITH MICROWAVE SENSOR BASE HIGH BAY

SAVE THESE INSTRUCTIONS - READ ALL INSTRUCTIONS CAREFULLY
REMOTE CONTROL APPLICATIONS


BUTTON NAME	DESCRIPTION
ON / OFF	1. "ON/OFF" key only functions as a switch of the light. 2. If this button is pressed to turn off the fixture before power is turned off, the fixture will remain off after power is turned on again.
MW / PIR	Change from the microwave sensor function to PIR sensor function, and the other around.
Scene	Press "Scene" button, products with DIP switch will be controlled by DIP switches; otherwise all the setting will be just initial, that is 100% detection range, hold time 5S, no standby time and daylight threshold disabled.
Start	Start - Press the button before choosing the parameters.
Memory	Memory - Press the button after choosing all the parameters to save them
Apply	Apply - Press the button to deliver the saved settings to the other sensors directly
Hold Time 	The period of light keeping 100% brightness after moving objects leave the detection area.
Standby Period 	The period of light keeping low output before it gets completely off. When it's preset as -, the light always keep at low output even no movement in the detection area.
Power %	Press the button to change the output power from 0% to 100% it changes 5% every press.
Test (2s)	The button "Test (2s)" is for testing purpose after commissioning. Pressing this button, the sensor goes to test mode (hold time is only 2s)
	Increase or decrease the parameters.
Daylight Threshold 	Definition of the ambient brightness: only when the ambient brightness is lower than the preset specific lux amount, the sensor will work; when it's preset as "disable", the sensor works everytime it detects motion regardless of the ambient lux level.
Standby Dimming Level 	The definition of low output during the standby period.
Detection Range 	The area in which movement will trigger the sensor, 100% detection area also means strong sensitivity

MEMORY AND APPLY MODE.

1. Press the On/Off Button to turn the fixture on or off.
2. To Reset the parameters, follow steps as below:
 - Press ON to turn on the fixture if it is off.
 - Press START at the fixture being set.
 - Press the buttons of DETECTION RANGE, HOLD TIME, STANDBY DIMMING LEVEL, STANDBY PERIOD, and DAYLIGHT THRESHOLD one after the other in sequence. Press "+/-" to set Parameters. Press MEMORY to memorize the settings.

NOTE: THE INTERVAL OF EACH PARAMETER SETTING SHALL BE CONTROLLED WITHIN 30 SECONDS
3. To program other fixtures in the array that will have the same program.
 - Press ON to the second fixture.
 - Press APPLY.

ISOLATED SETTING MODE.

1. Press the On/Off Button to turn the fixture on or off. Press SCENE - the remote will activate settings that were saved last or remain at factory settings.
2. To reset the parameters, follow the steps below:
 - Press ON to turn the fixture on, if it was off to start.
 - Press any button of SCENE, TEST, APPLY to begin the sensor detection mode.
 - PRESS the buttons of Detection Range, Hold Time, Standby Dimming Level, Standby Period and Daylight Threshold one after the other in sequence.

NOTE:

- Setting will be saved automatically and remain until you press RESET again.
- Fixture will flicker when you are setting each parameter.
- The icon will flash when setting the corresponding parameter.